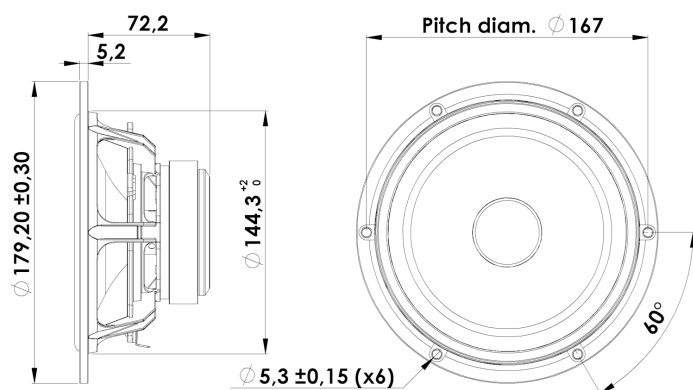


18 cm Midwoofer

18W/4424G00



### T-S Parameters:

Resonance frequency [fs]	49 Hz
Mechanical Q factor [Qms]	4.57
Electrical Q factor [Qes]	0.42
Total Q factor [Qts]	0.38
Force factor [Bl]	5.2 Tm
Mechanical resistance [Rms]	0.77 kg/s
Moving mass [Mms]	11.4 g
Compliance [Cms]	0.92 mm/N
Effective diaph. diameter [D]	132 mm
Effective piston area [Sd]	137 cm <sup>2</sup>
Equivalent volume [Vas]	24.1 l
Sensitivity (2,83V/1m)	91 dB

### Mechanical Data:

Voice coil diameter	25 mm
Voice coil height	10.5 mm
Voice coil layers	2
Gap height	5 mm
Linear excursion	± 2.8 mm
Max mech. excursion	± 8 mm
Unit weight	1.1 kg
Cabinet Displacement Volume	0.28 l

### Electrical Data:

Nominal impedance [Zn]	4 Ω
Minimum impedance [Zmin]	4.1 Ω
Maximum impedance [Zo]	38.0 Ω
DC resistance [Re]	3.2 Ω
Voice coil inductance [Le]	0.47 mH

### Power Handling:

100h RMS noise test (IEC 18.4)	50 W
Long-term max power (IEC 18.2)	110 W
X-over:	None

### Key Features:

- High Output 91dB @ 2,83V
- Excellent Midrange Performance
- Coated NRSC Fibre Glass Cone
- Low Damping SBR Rubber Surround
- Die cast Alu Chassis vented below spider

### Recommendations (please see Tech Note):

- Operating frequency range: fs-8000 Hz
- Cabinet volume - closed box: Vbox=13 ltr, f(-3dB)=85 Hz
- Cabinet volume - vented box: Vbox=26 ltr, fb=48 Hz, f(-3dB)=47 Hz

