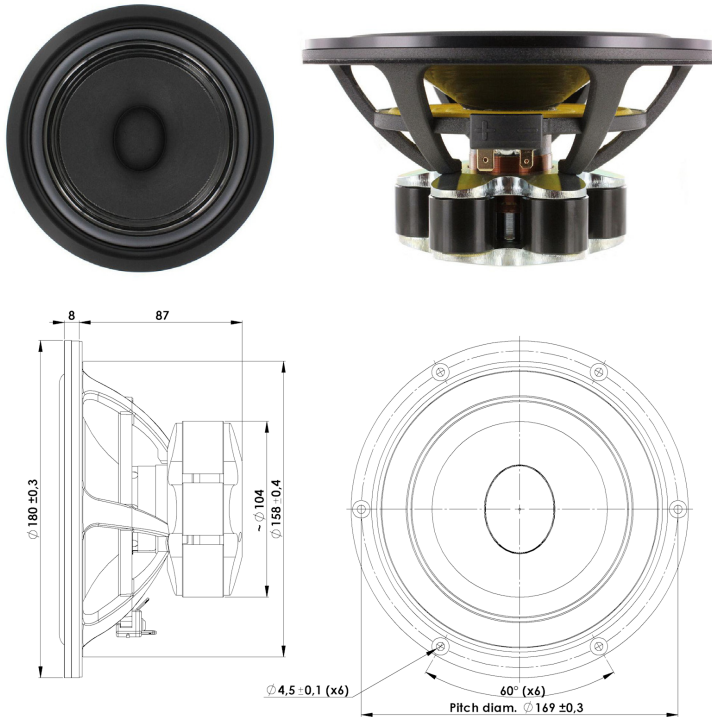


18 cm Midwoofer

18WE/4542T00



T-S Parameters:

Resonance frequency [fs]	46 Hz
Mechanical Q factor [Qms]	5.62
Electrical Q factor [Qes]	0.26
Total Q factor [Qts]	0.25
Force factor [Bl]	8.1 Tm
Mechanical resistance [Rms]	0.9 kg/s
Moving mass [Mms]	17.5 g
Compliance [Cms]	0.68 mm/N
Effective diaph. diameter [D]	130 mm
Effective piston area [Sd]	133 cm ²
Equivalent volume [Vas]	17.2 l
Sensitivity (2,83V/1m)	92.5 dB

Mechanical Data:

Voice coil diameter	35/45 mm
Voice coil height	19.5 mm
Voice coil layers	2
Gap height	5 mm
Linear excursion	± 7.2 mm
Max mech. excursion	± 12 mm
Unit weight	1.7 kg
Cabinet Displacement Volume	0.32 l

Electrical Data:

Nominal impedance [Zn]	4 Ω
Minimum impedance [Zmin]	4.1 Ω
Maximum impedance [Zo]	76 Ω
DC resistance [Re]	3.4 Ω
Voice coil inductance [Le]	0.1 mH

Power Handling:

100h RMS noise test (IEC 18.4)	50 W
Long-term max power (IEC 18.2)	100 W
X-over:	None

Key Features:

- Elliptic voice coil
- AirCirc optimized magnetsystem
- Very low mechanical losses
- Exceptionally low distortion
- High sensitivity (SPL)
- Flexible appearance with replaceable decor ring

Recommendations (please see Tech Note):

- Operating frequency range: fs-6000 Hz
- Cabinet volume - closed box: N.a.
- Cabinet volume - vented box: N.a.

