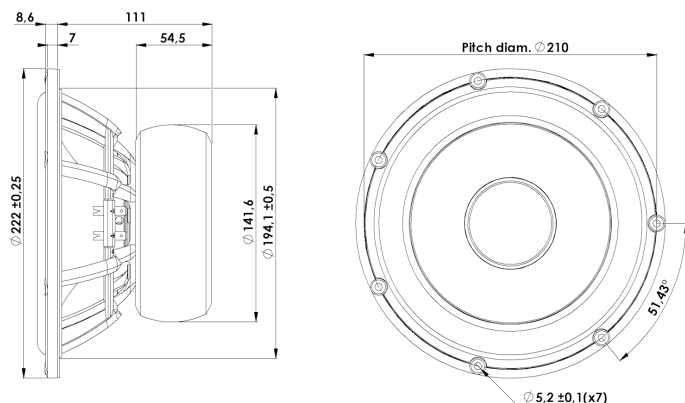


22 cm Woofer

22W/8857T00



T-S Parameters:

Resonance frequency [fs]	23 Hz
Mechanical Q factor [Qms]	4.90
Electrical Q factor [Qes]	0.32
Total Q factor [Qts]	0.30
Force factor [Bl]	10.1 Tm
Mechanical resistance [Rms]	1.09 kg/s
Moving mass [Mms]	37 g
Compliance [Cms]	1.29 mm/N
Effective diaph. diameter [D]	167 mm
Effective piston area [Sd]	220 cm ²
Equivalent volume [Vas]	87.7 l
Sensitivity (2,83V/1m)	86 dB

Mechanical Data:

Voice coil diameter	50 mm
Voice coil height	24 mm
Voice coil layers	2
Gap height	6 mm
Linear excursion	± 9 mm
Max mech. excursion	± 14 mm
Unit weight	3.6 kg
Cabinet Displacement Volume	1.04 l

Electrical Data:

Nominal impedance [Zn]	8 Ω
Minimum impedance [Zmin]	7.2 Ω
Maximum impedance [Zo]	101 Ω
DC resistance [Re]	6.2 Ω
Voice coil inductance [Le]	0.35 mH

Power Handling:

100h RMS noise test (IEC 18.4)	80 W
Long-term max power (IEC 18.2)	200 W
X-over:	None

Key Features:

- Patented Symmetrical Drive Motor Design
- Rigid Black Anodized Alu Cone
- Low-Loss linear suspension
- Low Damping SBR Rubber Surround
- Die cast Alu Chassis vented below spider
- Ferrite Magnet System w. Rubber Boot

Recommendations (please see Tech Note):

- Operating frequency range: fs-3000 Hz
- Cabinet volume - closed box: Vbox=22 ltr, f(-3dB)=52 Hz
- Cabinet volume - vented box: Vbox=39 ltr, fb=30 Hz, f(-3dB)=33 Hz

