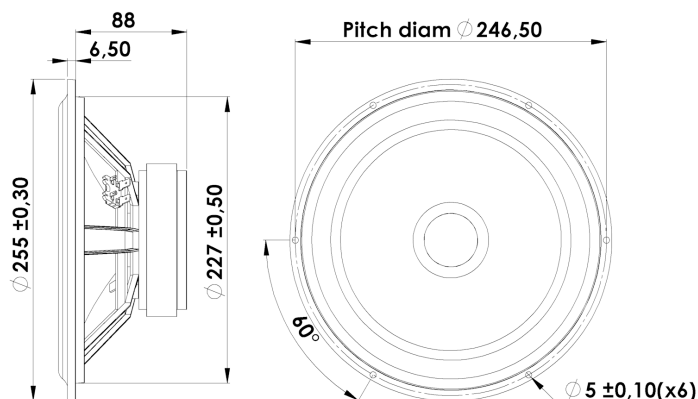


## 25 cm Woofer

## 25W/8565-00



### T-S Parameters:

Resonance frequency [fs]	20 Hz
Mechanical Q factor [Qms]	5.40
Electrical Q factor [Qes]	0.44
Total Q factor [Qts]	0.41
Force factor [Bl]	8.2 Tm
Mechanical resistance [Rms]	1.00 kg/s
Moving mass [Mms]	43 g
Compliance [Cms]	1.47 mm/N
Effective diaph. diameter [D]	205 mm
Effective piston area [Sd]	330 cm <sup>2</sup>
Equivalent volume [Vas]	225 l
Sensitivity (2,83V/1m)	88 dB

### Mechanical Data:

Voice coil diameter	42 mm
Voice coil height	19 mm
Voice coil layers	2
Gap height	6 mm
Linear excursion	± 6.5 mm
Max mech. excursion	± 12 mm
Unit weight	2.3 kg
Cabinet Displacement Volume	0.75 l

### Electrical Data:

Nominal impedance [Zn]	8 Ω
Minimum impedance [Zmin]	6.2 Ω
Maximum impedance [Zo]	73.0 Ω
DC resistance [Re]	5.5 Ω
Voice coil inductance [Le]	0.4 mH

### Power Handling:

100h RMS noise test (IEC 18.4)	100 W
Long-term max power (IEC 18.2)	200 W
X-over:	None

### Key Features:

- Patented Symmetrical Drive Motor Design
- Low Resonance Freq. 20Hz
- Low-Loss linear suspension
- Air Dried Paper/Carbon Fibre Cone
- Low Damping SBR Rubber Surround
- 42mm Voice Coil

### Recommendations (please see Tech Note):

- Operating frequency range: fs-2000 Hz
- Cabinet volume - closed box: Vbox=134 ltr, f(-3dB)=33 Hz
- Cabinet volume - vented box: Vbox=282 ltr, fb=18 Hz, f(-3dB)=18 Hz

