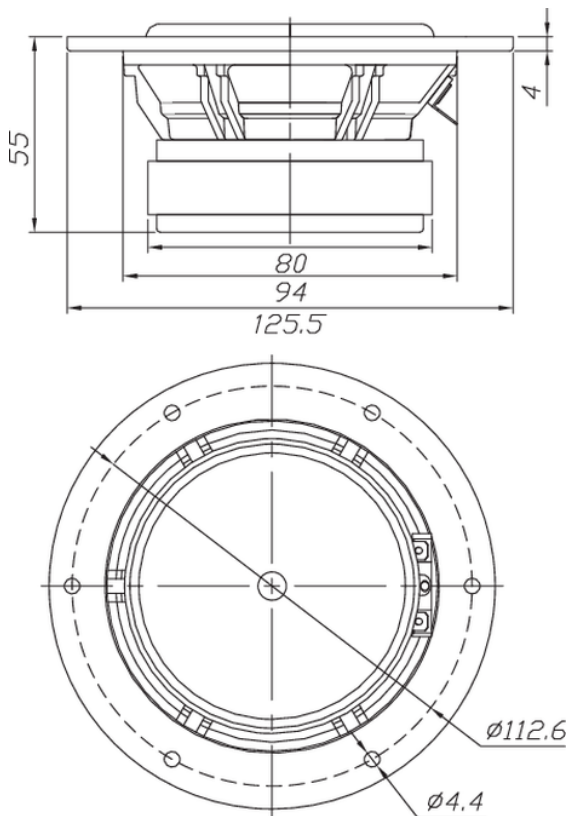




# RS125-8 5" Reference Woofer 8 Ohm

RS125-8



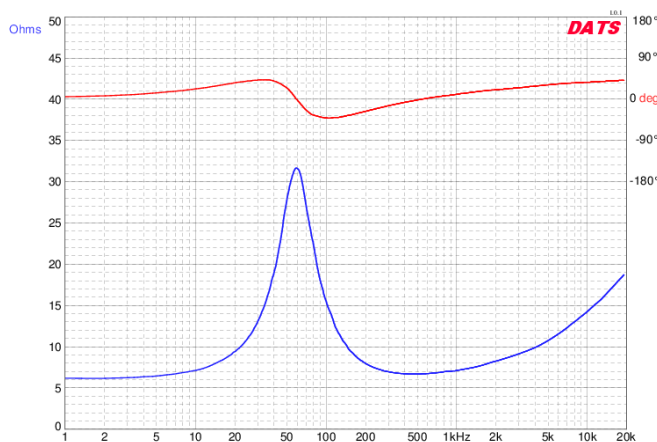
## PARAMETERS

Impedance	8 ohms
Re	6.2 ohms
Le	0.57 mH @ 1 kHz
Fs	59.2 Hz
Qms	1.74
Qes	0.42
Qts	0.34
Mms	5.9g
Cms	1.22 mm/N
Sd	52.8 cm <sup>2</sup>
Vd	21.1 cm <sup>3</sup>
BL	5.69 Tm
Vas	4.77 liters
Xmax	4.0 mm
VC Diameter	25 mm
SPL	86.8 dB @ 2.83V/1m
RMS Power Handling	30 watts
Usable Frequency Range (Hz)	65 - 5,400 Hz

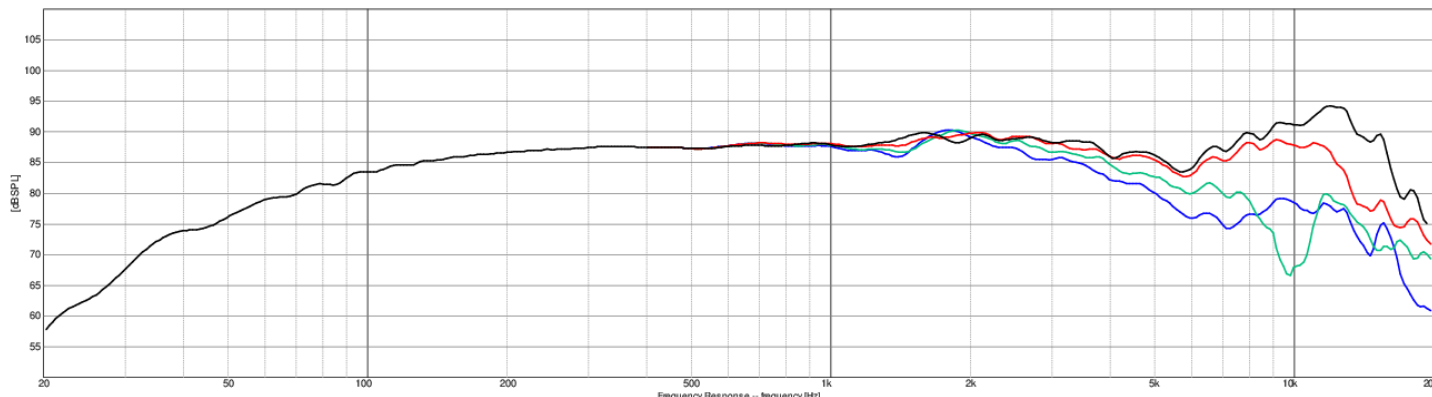
## FEATURES

- One of the lowest distortion, highest resolution driver series available
- Low-distortion high-excursion motor system with two short-circuit paths
- Compliant suspension and rigid black anodized aluminum cone for strong bass performance
- Heavy-duty 6-hole cast frame, low-loss rubber surround, and solid aluminum phase plug
- Designed and engineered in the USA

## IMPEDANCE/PHASE



## FREQUENCY RESPONSE



Note: 1/24<sup>th</sup> octave smoothing - nearfield response included in graph below 450 Hz.

Black = 0°  
Red = 15°  
Green = 30°  
Blue = 45°