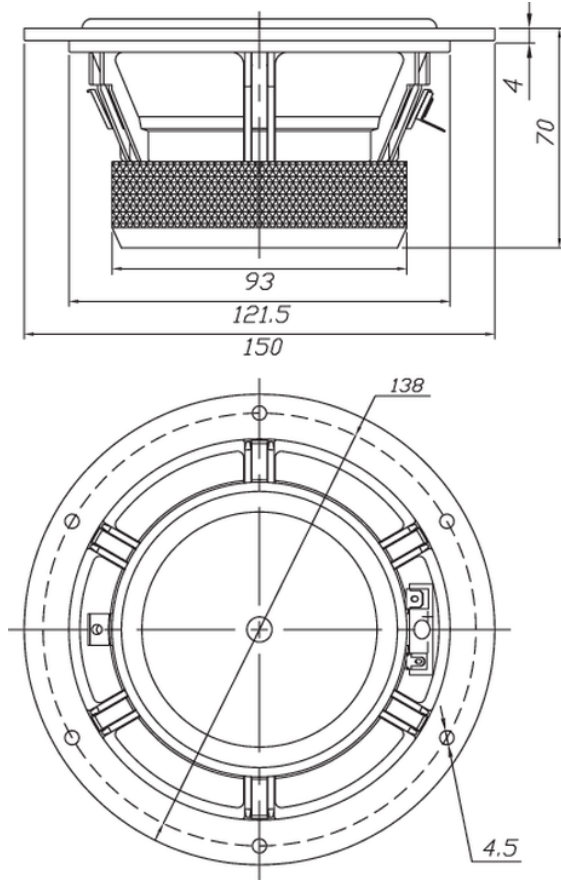




RS150-4 6" Reference Woofer 4 Ohm

RS150-4



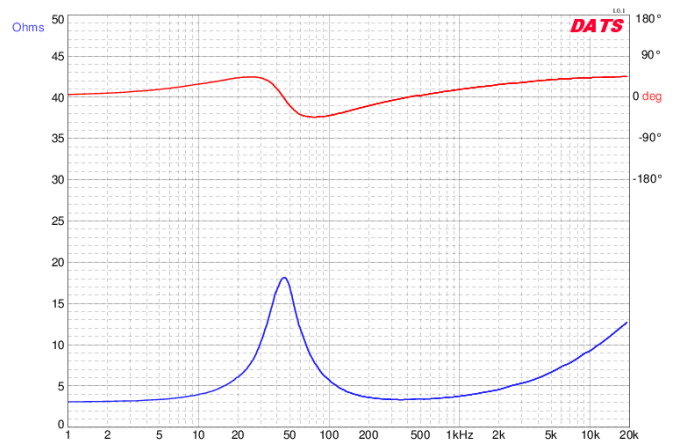
PARAMETERS

Impedance	4 ohms
Re	3.1 ohms
Le	0.34 mH @ 1 kHz
Fs	45.1 Hz
Qms	1.96
Qes	0.40
Qts	0.33
Mms	7.7g
Cms	1.62 mm/N
Sd	85 cm ²
Vd	37.4 cm ³
BL	4.1 Tm
Vas	16.4 liters
Xmax	4.4 mm
VC Diameter	25 mm
SPL	91.8 dB @ 2.83V/1m
RMS Power Handling	40 watts
Usable Frequency Range (Hz)	48 - 4,000 Hz

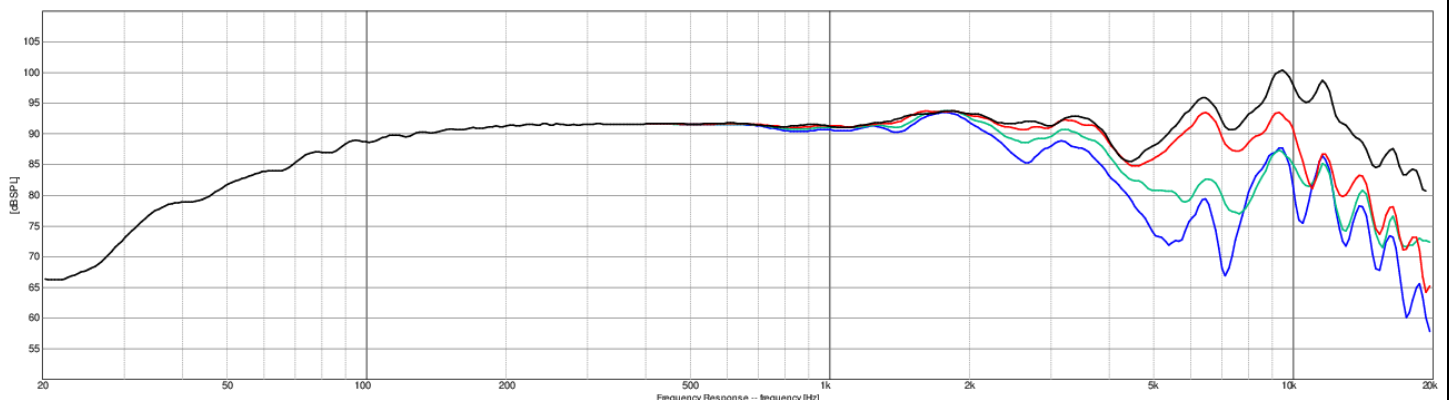
FEATURES

- Great replacement for the Dayton RS150S-8 6" Reference Shielded Woofer 8 Ohm
- 4 ohm impedance is perfect for series pairs in MTMs and center channel speakers
- Excellent car audio midrange/midbass
- High-end low-distortion motor with two shorting paths to reduce inductance

IMPEDANCE/PHASE



FREQUENCY RESPONSE



Note: 1/24th octave smoothing - nearfield response included in graph below 450 Hz.

Black = 0°
Red = 15°
Green = 30°
Blue = 45°