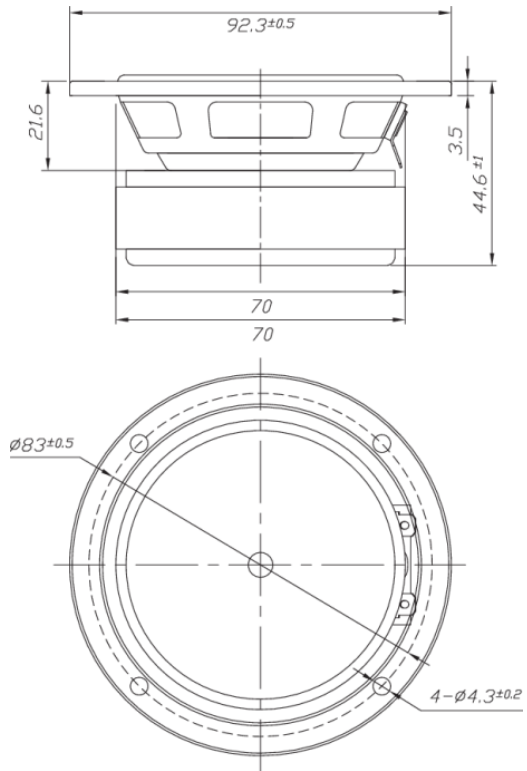




DS90-8 3" Designer Series Extended-Range Speaker 8 Ohm

DS90-8



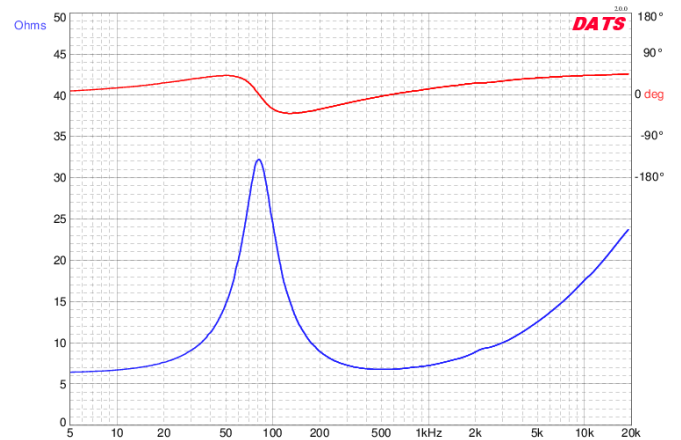
PARAMETERS

Impedance	8 ohms
Re	6.3 ohms
Le	0.56 mH @ 1kHz
Fs	81.4 Hz
Qms	2.19
Qes	0.53
Qts	0.43
Mms	3.8g
Cms	1.02 mm/N
Sd	31.2 cm ²
Vd	7.8 cm ³
BL	4.76 Tm
Vas	1.31 liters
Xmax	2.5 mm
VC Diameter	20.4 mm
SPL	84.1 dB @ 2.83V/1m
RMS Power Handling	20 watts
Usable Frequency Range (Hz)	80 - 13,000 Hz

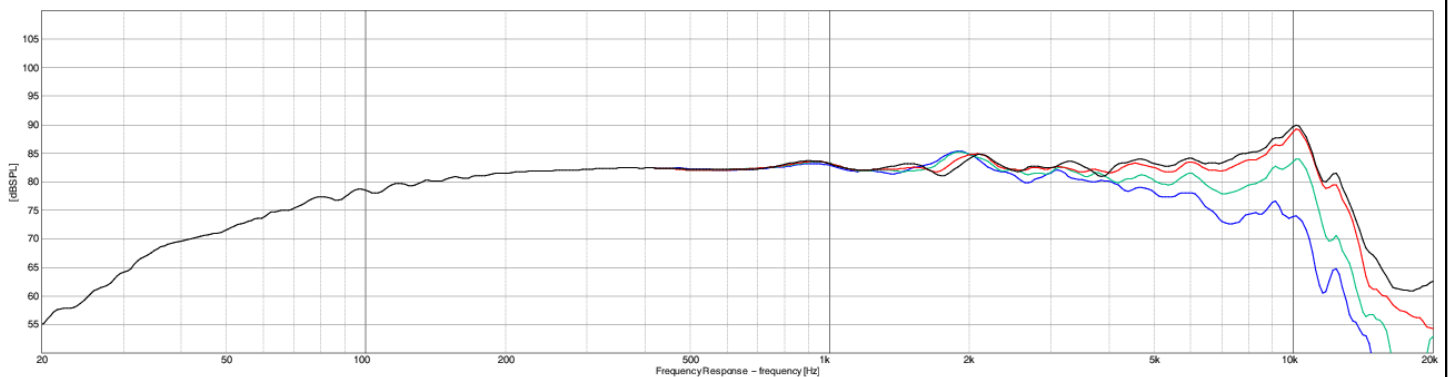
FEATURES

- Cosmetic frame with low profile lip, designed for front mounting—no countersinking required!
- Coated paper cone, half roll rubber surround for durability and accurate reproduction
- Optimized to yield a low 3 dB down point and high potential output in a reasonably sized cabinet
- Smooth frequency response and linear roll-off simplify filter design, guaranteeing good results with off-the-shelf crossovers
- Vented pole piece for minimized power compression and maximized reliability

IMPEDANCE/PHASE



FREQUENCY RESPONSE



Note: 1/24th octave smoothing - nearfield response included in graph below 450 Hz.

Black = 0°
Red = 15°
Green = 30°
Blue = 45°