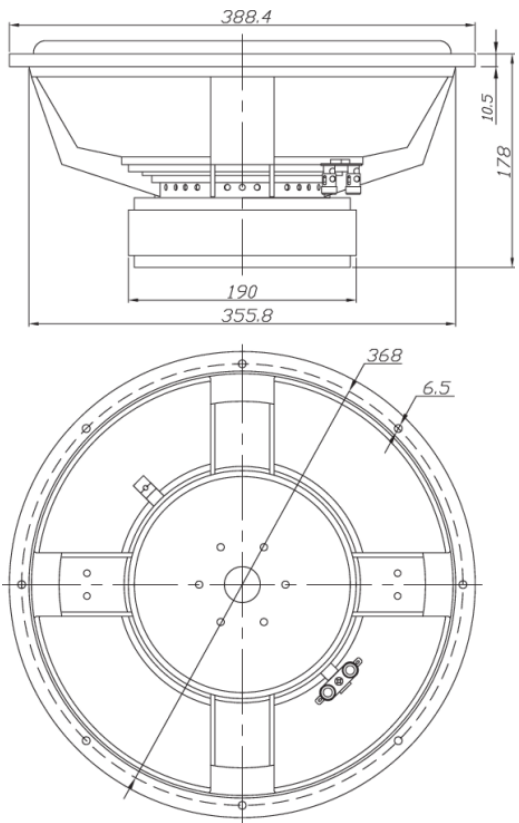




# RSS390HF-4 15" Reference HF Subwoofer 4 Ohm

RSS390HF-4



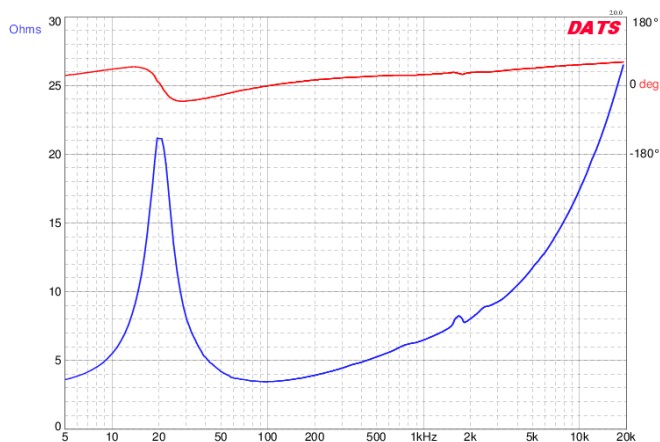
## PARAMETERS

Impedance	4 ohms
Re	3 ohms
Le	0.92 mH @ 1 kHz
Fs	19.5 Hz
Qms	3.02
Qes	0.50
Qts	0.43
Mms	306g
Cms	0.22 mm/N
Sd	829.6 cm <sup>2</sup>
Vd	1,161.4 cm <sup>3</sup>
BL	15 Tm
Vas	212 liters
Xmax	14.0 mm
VC Diameter	64 mm
SPL	91.2 dB @ 2.83V/1m
RMS Power Handling	500 watts
Usable Frequency Range (Hz)	18 - 800 Hz

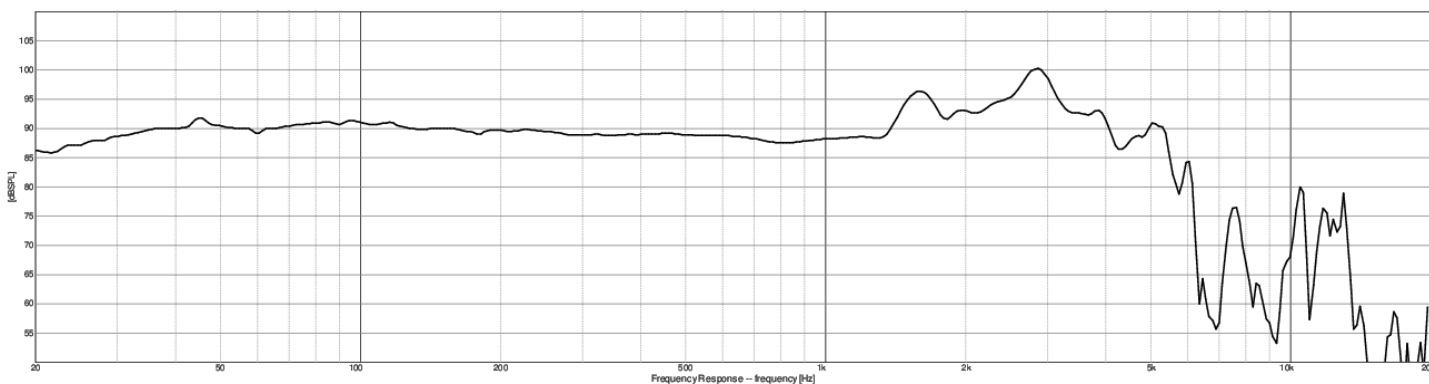
## FEATURES

- Extensively vented motor eliminates compression and allows quiet excursion
- Lightweight black anodized aluminum cone for rigidity and lower moving mass
- Triple shorting ring motor for ultra-low distortion
- 2-layer coil for reduced back EMF
- Suitable for sealed or vented enclosures

## IMPEDANCE/PHASE



## FREQUENCY RESPONSE



Note: 1/24<sup>th</sup> octave smoothing - nearfield response included in graph below 450 Hz.

Black = 0°