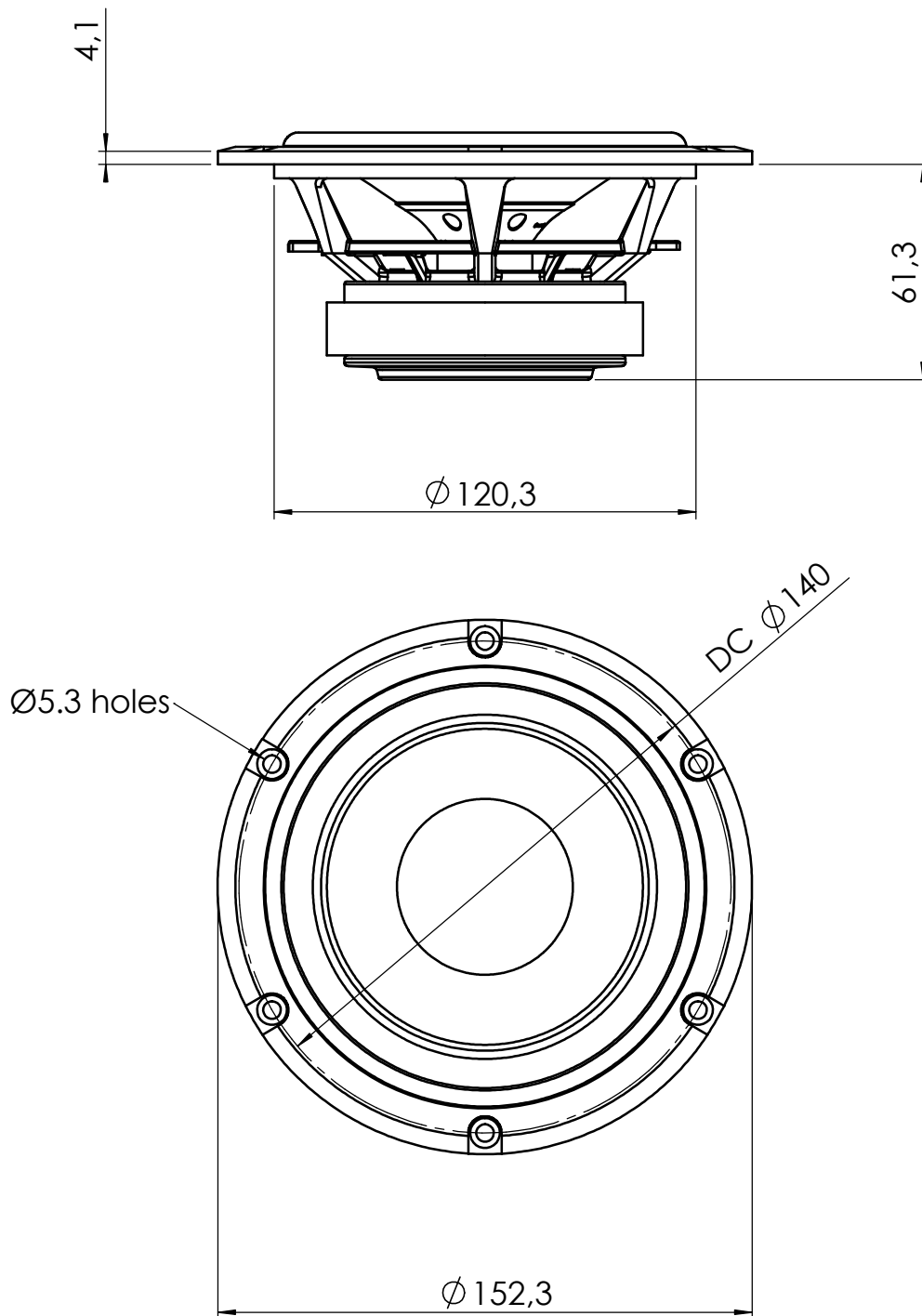


Mechanical Dimensions



* Dimensions listed are maximum production line values !

* Recommended build in clearance : 0,5% of above values !

Drawing Scale **2:1** All dimensions are in millimeters !

The rights to make changes
are reserved by DST A/S



Danish Sound Technology A/S
Motorgangen 2-4, 2690 Karlslunde
Tlf.: +045 7028 1700 Fax.: +45 4615 1171
Website: www.d-s-t.com

5" HDS 134 (Die Cast Aluminium)

Order ID. **830882**

