

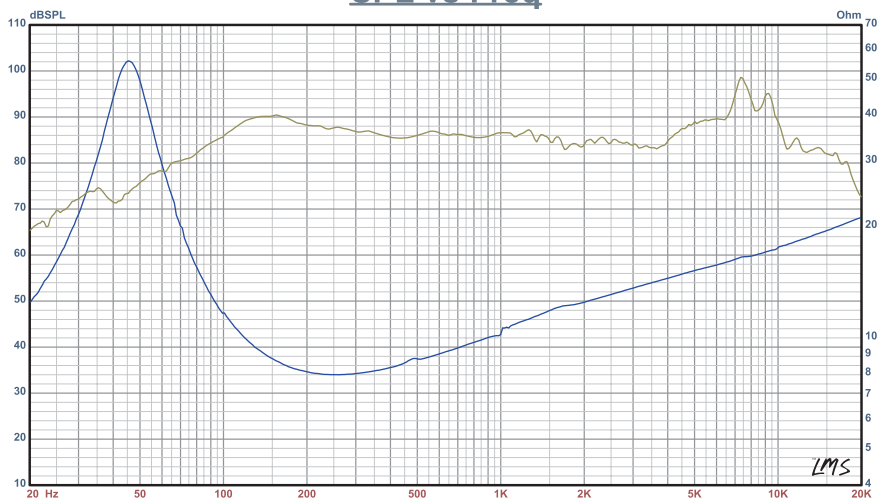


FW168 midwoofer

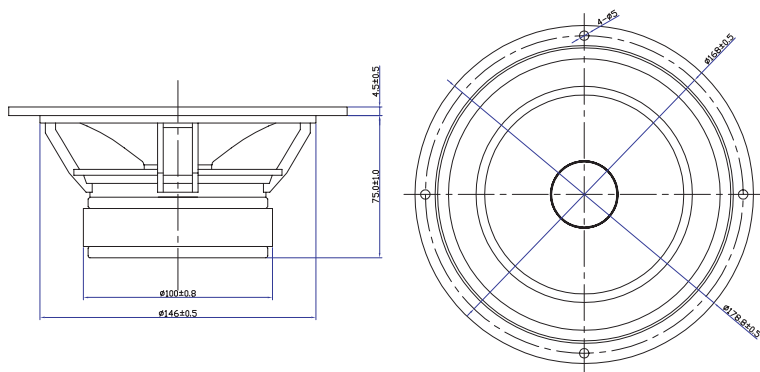
FEATURE

- 6.5" midwoofer driver
- hard aluminium cone
- aluminium phase plug
- 36mm voice coil
- die cast frame
- low distortion, fast transition

**SPL vs Freq**



frequency response vs impedance



Mechanical drawing

Specification	
overall dimension	D178X79.5mm
Net. Weight	1.76kg
nominal power handling	50Wrms
nominal impedance	8ohm
sensitivity	87.3dB/W/M
frequency response	40-4,000Hz
resonant frequency	45Hz
Voice Coil	
voice coil diameter	36mm
voice coil height	15mm
voice coil former	black aluminum
voice coil wire	copper round
number of layers	2
DC resistance	7.2ohm
Magnet System	
magnet system type	ferrite
magnetic gap height	5.8mm
B flux density	1.0T
BL product	8.2Tm
max linear excursion	4.6mm +/-
T/S Parameter	
Cms	0.821mm/N
Sd	119CM <sup>2</sup>
Vas	16.5Litre
Mmd	13.95g
Mms	14.7g
Qms	3.246
Qes	0.452
Qts	0.397