

6.5" Woofer

PURE SOUND

Long Stroke driver with
Ultra Low Distortion and
High SPL Handling

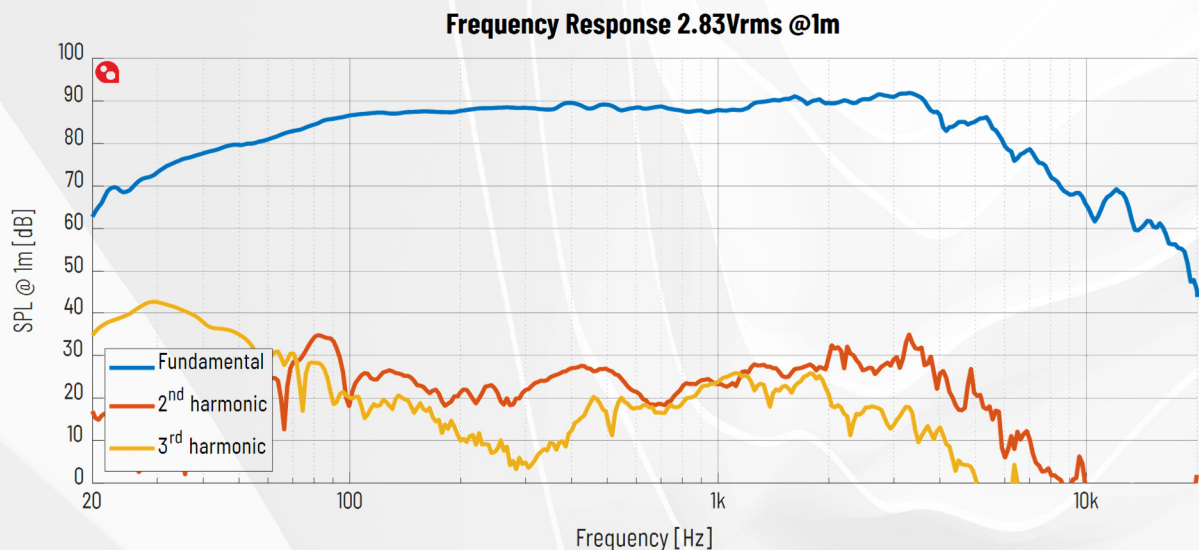


PTT6.5W04 DATA SHEET

- ⊙ Negligible Force Factor Modulation and Surround Radiation Distortion
- ⊙ Low Magnetic Hysteresis Distortion
- ⊙ "Real" long-stroke performance: distortion remains low over full excursion
- ⊙ Uncompromised midrange performance

KEY SPECIFICATIONS

Driver size	6.5"
DC resistance, R_{DC}	3.6 Ω
Resonance freq., f_s	30 Hz
Total Q factor, Q_{ts}	0.29
Effective piston area	133 cm ²
Equivalent volume, V_{as}	26 L
SPL@2.83V _{rms} /1m	88.5 dB
Linear X_{max}	+/- 10.0 mm
Mechanical X_{max}	+/- 14.5 mm
IEC Power handling	350 W
Cone material	Proprietary Fibre Mix



1 Specifications

1.1 Electrical & Acoustical Parameter

Parameter		Typ	Unit
Z_n	Nominal impedance	4	Ω
Z_{min}	Minimum impedance	4.2	Ω
Z_o	Maximum impedance	130	Ω
R_{DC}	DC resistance	3.6	Ω
L_e	Voice Coil inductance @ 1kHz 0mm	0.37	mH
SPL	SPL@2.83V _{rms} /1m, 300Hz-800Hz, ref. 20 μ Pa	88.5	dB
	SPL@1W(Z_{min})/1m, 300Hz-800Hz, ref. 20 μ Pa	85.7	dB

Table 1 Electrical & Acoustical Parameters

1.2 T/S & Lumped Parameters

Parameter		Typ	Unit
f_s	Resonance frequency	30	Hz
Q_{ms}	Mechanical Q factor	9.0	-
Q_{es}	Electrical Q factor	0.30	-
Q_{ts}	Total Q factor	0.29	-
Bl	Force factor	7.7	N/A
R_{ms}	Mechanical resistance	0.56	kg/s
M_{ms}	Moving mass	26.4	g
C_{ms}	Suspension compliance	1.04	mm/N
S_d	Effective piston area	132.7	cm ²
D	Effective piston diameter	13.0	cm
V_{as}	Equivalent volume	26.0	L

Table 2 T/S & Lumped Parameters

1.3 Mechanical Properties

Parameter		Typ	Unit
Excursion Properties			
X_{max}	Linear excursion	+/- 10.0	mm
	Mechanical excursion	+/- 14.5	mm
Physical Dimensions			
	Basket diameter	176	mm
	Cutout diameter	145	mm
	Mounting hole pattern diameter	166	mm
	Mounting hole diameter	5.1	mm
	Magnet diameter	100	mm
	Outer flange height	3.5	mm
	Build-in depth	85.2	mm
Voice Coil Properties			
	VC diameter	39	mm
	VC length	23.7	mm
	VC layers	4	-
	Airgap height	4	mm
	Winding material	CCAW	-

Table 3 Mechanical Properties

1.4 Power Handling

Parameter		Typ	Unit
	Long term maximum power (IEC268-5 18.2)	350	W
	Rated noise power, 100h (IEC268-5 18.4)	100	W

Table 4 Power Handling

1.5 Typical Performance, Graphs

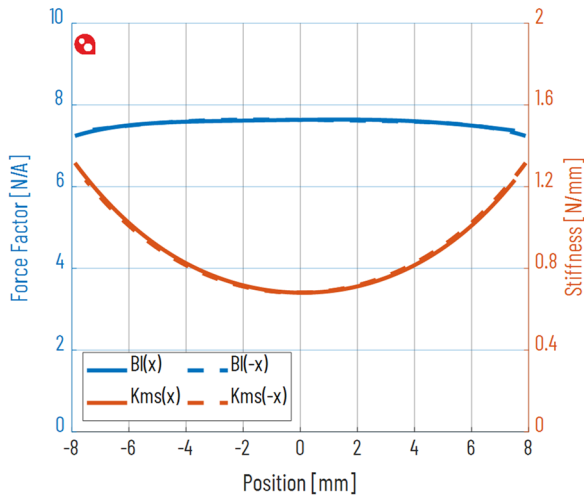


Figure 1 Force Factor and Stiffness vs Voice Coil Position

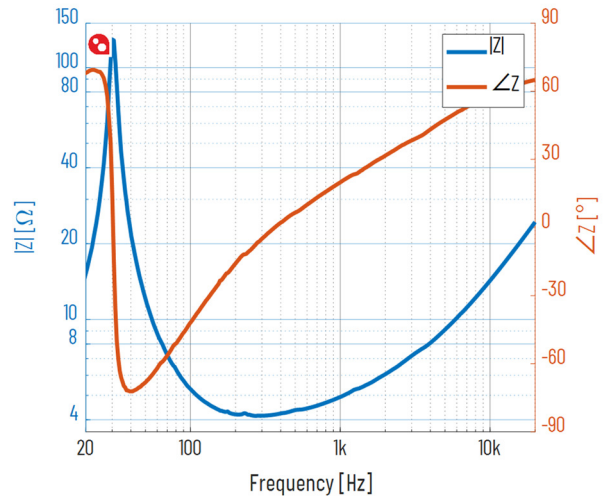


Figure 2 Impedance Response @ 0.5V

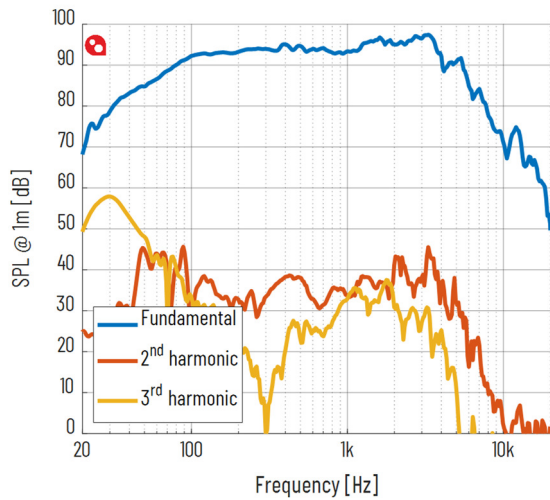


Figure 3 Frequency Response @ 1m, 94dB

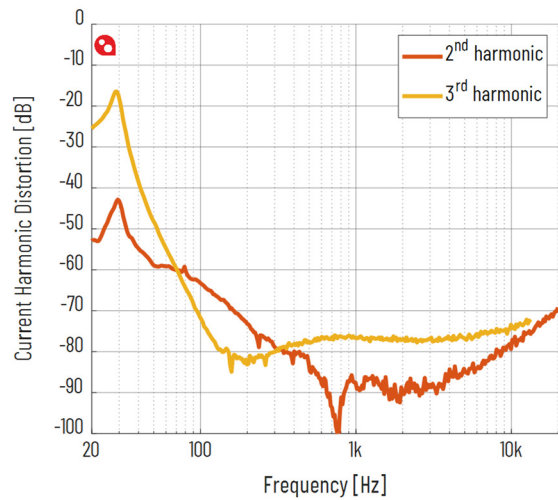


Figure 4 Current Harmonic Distortion Ratio @ 2.83Vrms

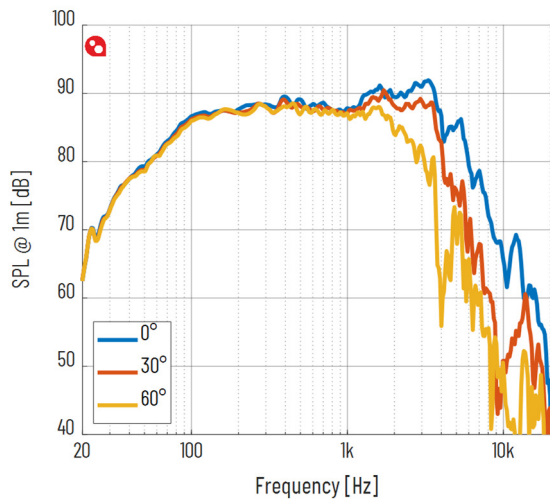


Figure 5 Axial Frequency Response @ 1m, 2.83Vrms

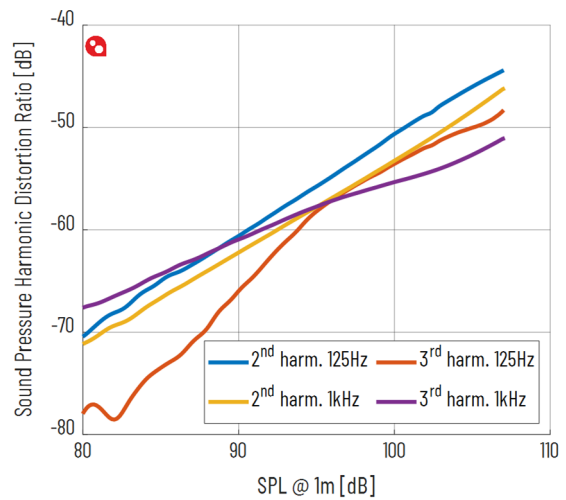
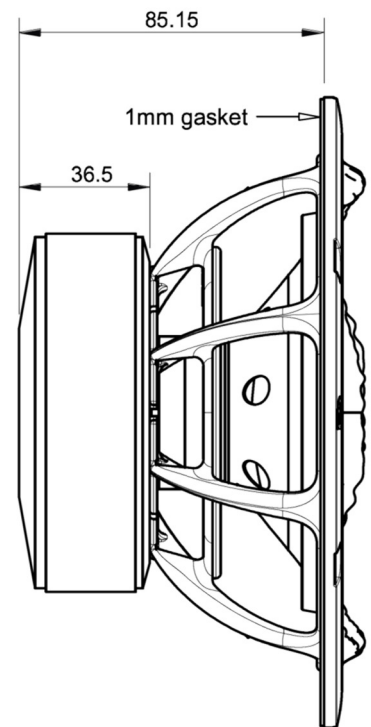
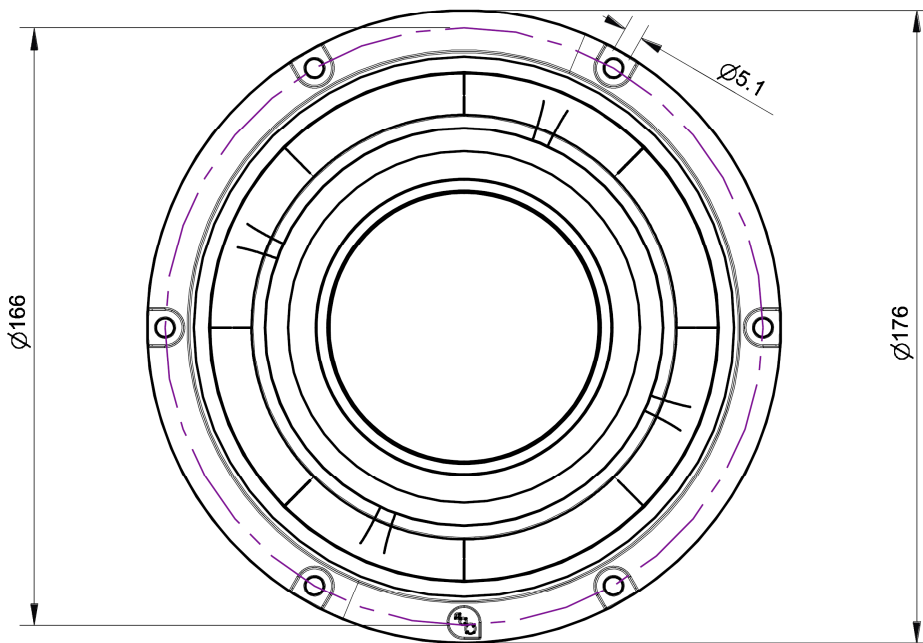
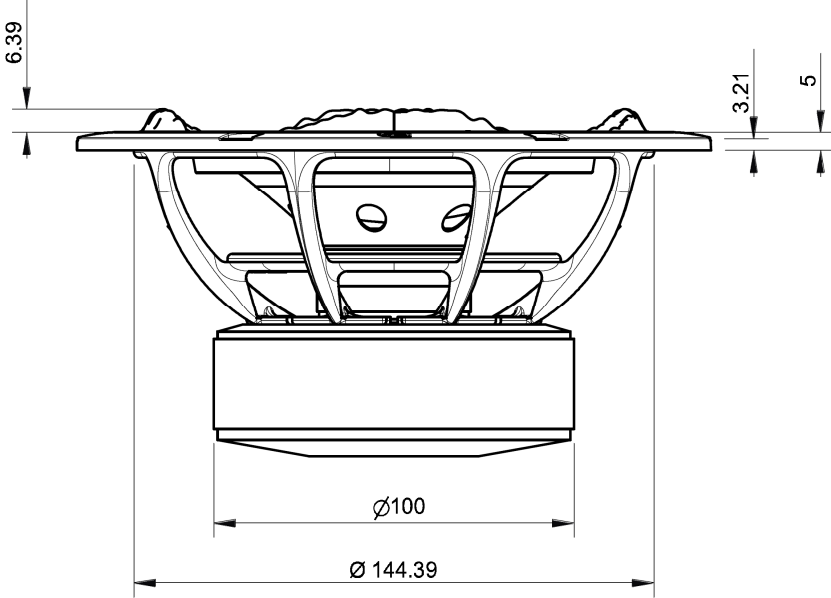


Figure 6 Sound Pressure Harmonic Distortion @ 1m, 0-28.3Vrms

2 Drawings



3 Description

The PTT6.5W04 is a 6.5" driver that truly cracks the long-stroke code. PURIFI's research has identified the parameters that have so far prevented long stroke drivers from breaking through in truly high performance audio. The distortion of the acoustic output of a driver is a combination of several separate distortion mechanisms in the motor, cone and suspension. When testing a complete driver with sine waves, a situation often arises where a small tweak seemingly improves harmonic distortion (HD) by letting two mechanisms counteract each other. This always leads to a clear worsening of intermodulation distortion (IMD) that becomes obvious when testing the unit with a more complex signal. This is why traditional HD tests fail to predict subjective sound quality.

PURIFI takes care to optimize the various distortion mechanisms separately, thus guaranteeing that any measured improvement truly reflects a real audible improvement no matter what the signal is. Accurate mathematical models are developed for the motor, suspension and the vibroacoustics of the dome and surround. These models clearly explain several distortion mechanisms in each domain, which provides fundamental insights into better ways of constructing the motor, cone and suspension. Finally, the same models are used to numerically fine-tune the geometry. This way of working reliably reduces multiple distortions mechanisms which secures low IMD for complex signals.

- **Low Force Factor Modulation**
 - Prevents voice coil current from modulating Force Factor (Bl). The PURIFI motor completely avoids this classical Achilles' heel of long stroke drivers. This translates into low intermodulation (IMD): clean, undistorted midrange even in the presence of a heavy bass.
 - Equates to low impedance modulation, meaning that drive current is not distorted by cone motion.
- **Very Constant Force Factor over Excursion**
 - Prevents voice coil position from modulating the force factor. This is the classical cause of "burbling" i.e. amplitude modulation of the midrange by large low-frequency cone excursions.
- **Low Surround Radiation Distortion**
 - The surround contributes to sound output. Conventional surrounds produce distortion as they deform. PURIFI's Neutral Surround geometry avoids this mechanism without constraining motion. This reduces harmonic distortion as well as intermodulation distortion.
- **Low Magnetic Hysteresis Distortion**
 - Hysteresis means that magnetic domains in iron retain traces of previous magnetization/demagnetization cycles which cause distortion when magnetized or demagnetized again. This distortion masquerades as benign harmonic distortion when tested with a sine wave but takes on a crackling or noisy character with more complex signals.
 - Removing hysteresis distortion translates into a very "fluid" presentation with excellent front/back separation in the stereo image and a perfectly black background between instruments.
- **Cleaner than large-cone short-stroke drivers**
 - The combination of the above characteristics results in a compact long-stroke driver that delivers complex sound with a clarity and lack of effort that was previously the exclusive province of large-area short-stroke drivers. Additionally, thanks to the small cone size, the driver has excellent mid-range reproduction. It is highly suited for two-way systems.

Accuracy of Information: To the extent PURIFI ApS provides information on function and specifications, PURIFI ApS attempts to be as accurate as possible. However, PURIFI ApS does not warrant the accuracy of information on its website and other documents as accurate, complete, reliable, current, or error-free. All data and information in the Data Sheet are subject to change.