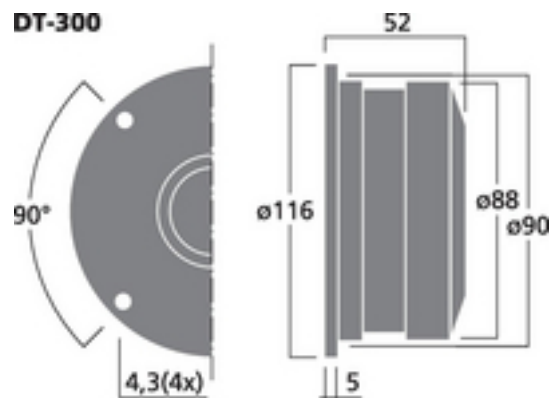
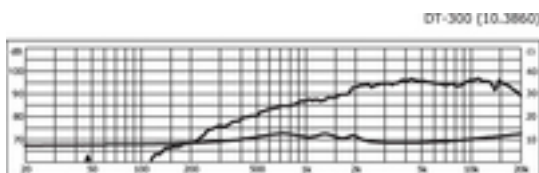


## DT-300 - HiFi Dome Tweeter



Hi-fi dome tweeters with large cone area

For extra high dynamic power also in case of low crossover frequencies. An ideal solution with excellent brilliant sound at the same time.

Hi-fi dome tweeter, 50 W, 8 Ohm

- 30 mm silk cone
- Low resonant frequency
- Excellent dynamic response and a high stability, even with low crossovers
- Ferrofluid of high liquidity for a fine brilliance
- Particularly suitable for high-performance applications and D&apos;Appolito arrangements in the top hi-fi range

Klang+Ton 06/2014

“Used in the speaker building concept MonaLisa: usually rather unobtrusive with a harmonised tuning, this speaker can still show an impressive performance, even at very high volume levels and when listening over longer periods of time. It provides a powerful bass and midrange reproduction and features an elegance which can only be realised with high-quality materials.”

## Technical data:

Impedance (Z)	: 8 Ohm
Transmission method	: -
Frequency range	: fx-19,000 Hz
Resonant frequency (fs)	: 750 Hz
Rec. crossov. frequ. (fmax.) (12 dB/oct.)	: 2,000 Hz
Power rating (RMS)	: 50 W
Peak music power output (MAX)	: 100 W
Sensitivity	: 93 dB/W/m
Max. rated SPL	: -
Max. voltage	: -
Radiation angle, horizontal	: -
Radiation angle, vertical	: -
Suspension compl. (Cms)	: -
Moving mass (Mms)	: -
Mech. Q factor (Qms)	: -
Electr. Q factor (Qes)	: -
Total Q factor (Qts)	: -
Equivalent volume (Vas)	: -
DC resistance (Re)	: -
Force factor (BxL)	: -
Voice coil induct. (Le)	: -
Voice coil diameter	: $\tilde{\text{A}}$ 30 mm
Voice coil former	: -
Linear excursion ( $X_{\text{MAX}}$ )	: -
Eff. cone area (Sd)	: -
Magnet weight	: -
Magnet diameter	: $\tilde{\text{A}}$ 88 mm
Mounting cutout	: $\tilde{\text{A}}$ 90 mm
Mounting depth	: 52 mm
Mounting hole diameter	: -
Hole spacing X-axis	: -
Hole spacing Y-axis	: -
Dimensions	: $\tilde{\text{A}}$ 116 x 52 mm
Outside diameter	: $\tilde{\text{A}}$ 116 mm
Width	: $\tilde{\text{A}}$ 116 mm

Height	: -
Depth	: 52 mm
Protective class	: -
Admiss. ambient temp.	: 0-40 °C
Weight	: 0.65 kg
Packing unit	: 1
Type of speaker	: -