

27TBC/G is a High Definition metal dome tweeter with a wide, soft polymer surround and a rear chamber.

Aluminium/magnesium alloy diaphragm with pistonic behaviour throughout the audible frequency range, resulting in a good dispersion also above 10kHz.

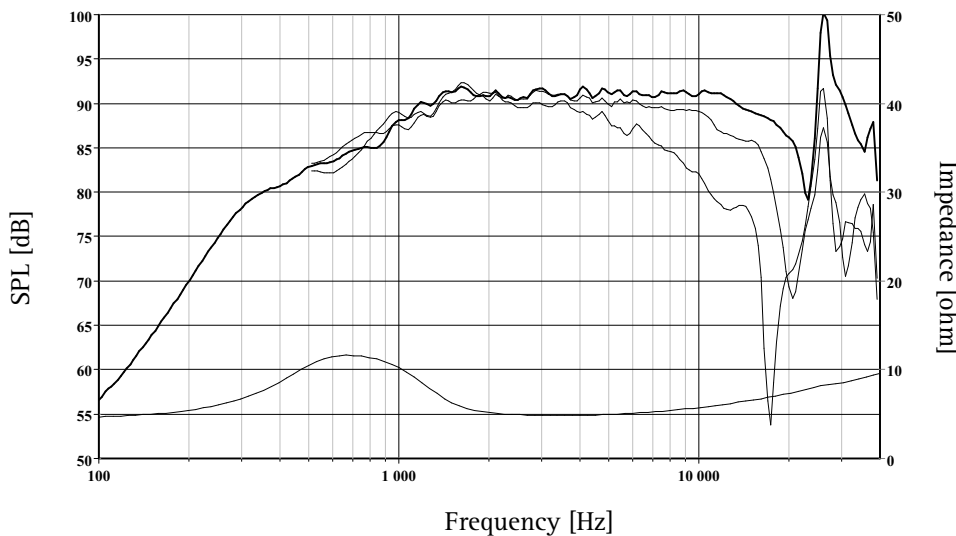
A Hexagrid protects the diaphragm, and supports a phase plate which compensates for a slight axial roll off towards 20 kHz.

Sonomax surround for low resonance, excellent mechanical linearity and stability without magnetic fluid damping.

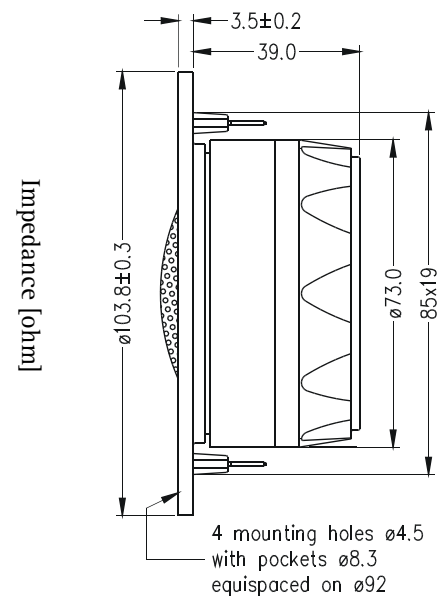
The voice coil is wound on an aluminium voice coil former with adequate ventilating holes to eliminate noise from internal air flow.

The stiff and stable rear chamber with optimal acoustic damping allows the tweeter to be used with moderately low crossover frequencies.

The chassis is precision moulded from glass fibre reinforced plastic, and its front design offers optimum radiation conditions.



The frequency responses above show measured free field sound pressure in 0, 30, and 60 degrees, mounted in a 0.6m by 0.8m baffle. Input 2.83 Vrms, microphone distance 0.5m, normalized to SPL 1m. The impedance is measured without baffle using a 2V sine signal.



Nominal Impedance	6 Ohms	Voice Coil Resistance	4.8 Ohms
Recommended Frequency Range	2000 - 25000 Hz	Voice Coil Inductance	0.05 mH
Short Term Power Handling *	150 W	Force Factor	3.5 N/A
Long Term Power Handling *	55 W	Free Air Resonance	600 Hz
Characteristic Sensitivity (2.83V, 1m)	92 dB	Moving Mass	0.33 g
Voice Coil Diameter	26 mm	Effective Piston Area	7.0 cm <sup>2</sup>
Voice Coil Height	1.5 mm	Magnetic Gap Flux Density	1.8 T
Air Gap Height	2.0 mm	Magnet Weight	0.25 kg
Linear Coil Travel (p-p)	0.5 mm	Total Weight	0.52 kg