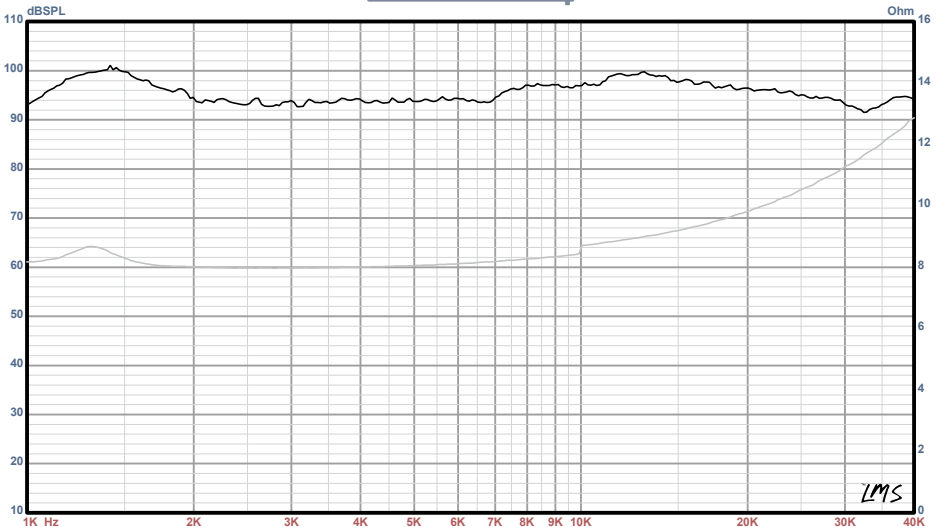




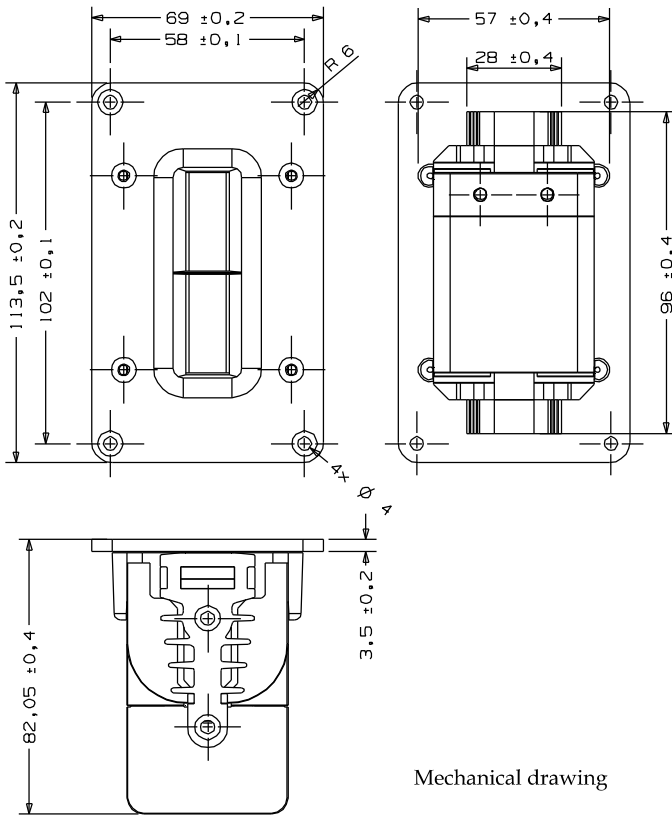
NeoX2.0 ribbon tweeter

- Fountek's 3rd generation ribbon driver technology
- 12mm wide reinforced sandwiched ribbon diaphragm
- High power handling, low distortion, very fast response
- Strong Neodymium magnet
- Built-in impedance converting transformer

### SPL vs Freq



on-axis frequency response



Mechanical drawing

Parameter	
Sensitivity	94dB/1m/2.83v
Power handling	25W nominal, 43W max
Frequency range	1,200-40,000Hz
Nominal impedance	8 ohm
DCR	0.02 ohm
Ribbon dimension	12x60x0.015mm
Effective ribbon area	720 square millimeter
Ribbon weight	27 milligram
Gap flux	0.4 Tesla average
Gap height	13 millimeter
Recommend crossover frequency	2,300Hz with 2-order
Net. Weight	750 gram