

High Quality automotive woofer.

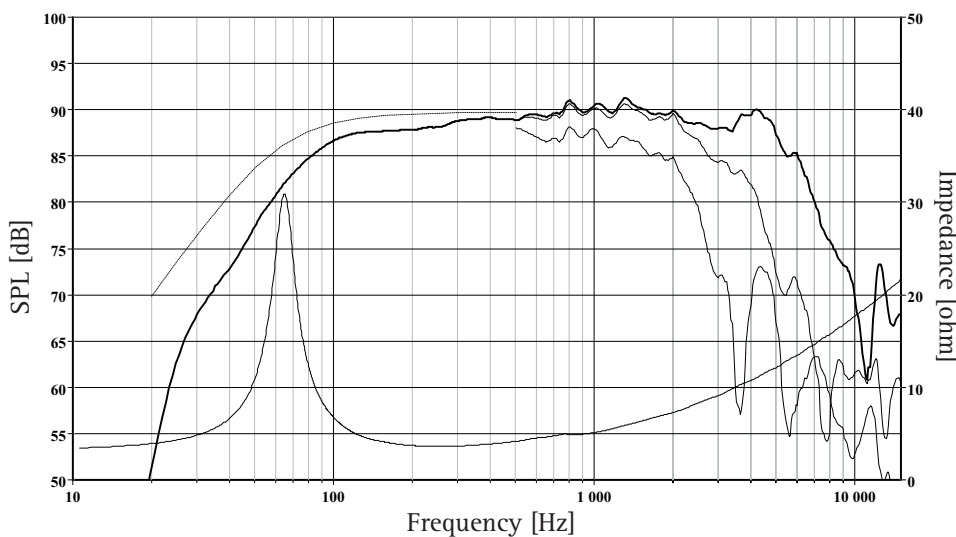
A glass fibre cone, and a stiff low loss rubber surround carefully matched to each other, result in a smooth frequency response, and a clear, precise reproduction of the critical midrange area.

A relatively large voice coil diameter results in high power handling capacity.

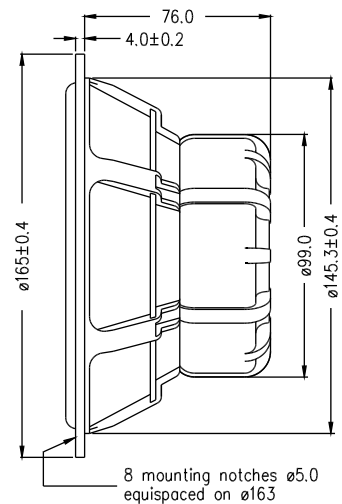
The magnet system with a T-shaped cross section of the pole piece gives low modulation distortion.

The bullet shaped phase plug reduces compression due to temperature variations in the voice coil and avoids resonances that would occur in the volume between the dust cap and the pole piece and increases the power handling capacity.

The extremely stiff and stable injection moulded metal basket keeps the critical components in perfect alignment.



The frequency responses above show measured free field sound pressure in 0, 30, and 60 degrees angle using a 12l closed box. Input 2.83 V_{RMS}, microphone distance 0.5m, normalized to SPL 1m. The dotted line is a calculated response in infinite baffle based on the parameters given for this specific driver. The impedance is measured in free air without baffle using a 2V sine signal.



Nominal Impedance	4 Ohms	Voice Coil Resistance	3.3 Ohms
Recommended Frequency Range	50 - 3000 Hz	Voice Coil Inductance	0.78 mH
Short Term Power Handling *	100 W	Force Factor	6.0 N/A
Long Term Power Handling *	250 W	Free Air Resonance	64 Hz
Characteristic Sensitivity (2.83V, 1m)	90.0 dB	Moving Mass	16.9 g
Voice Coil Diameter	39 mm	Air Load Mass In IEC Baffle	0.82 g
Voice Coil Height	12 mm	Suspension Compliance	0.4 mm/N
Air Gap Height	6 mm	Suspension Mechanical Resistance	1.3 Ns/m
Linear Coil Travel (p-p)	6 mm	Effective Piston Area	126 cm ²
Maximum Coil Travel (p-p)	19 mm	VAS	8 Litres
Magnetic Gap Flux Density	0.88 T	QMS	5.49
Magnet Weight	0.42 kg	QES	0.65
Total Weight	1.70 kg	QTS	0.58

Jul 2007-1

*IEC 268-5, via high pass butterworth filter 800Hz 6db/oct.
SEAS reserves the right to change technical data